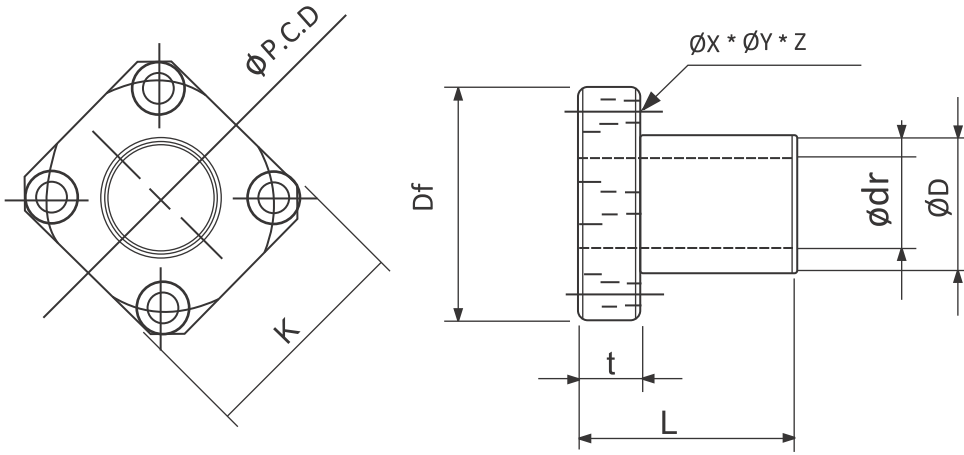


Ordering Key : SMK 20

1 2

1 SMK Square Flange Self-Lubricated Linear Bearing

2 Bearing Inner Diameter



Model NO	Inner Dia Ødr (F8)	ØD (F6)	L	ØDf	K	t	P.C.D	ØX	ØY	Z
SMK 10	10	19	29	40	30	9	29	4.5	7.5	4.1
SMK 12	12	21	30	42	32	9	32	4.5	7.5	4.1
SMK 13	13	23	32	43	34	9	33	4.5	7.5	4.1
SMK 16	16	28	37	48	37	9	38	4.5	7.5	4.1
SMK 20	20	32	42	54	42	11	43	5.5	9.0	5.1
SMK 25	25	40	59	62	50	11	51	5.5	9.0	5.1
SMK 30	30	45	64	74	58	14	60	6.6	11.0	6.1
SMK 35	35	52	70	82	64	14	67	6.6	11.0	6.1
SMK 40	40	60	80	96	75	18	78	9.0	14.0	8.1
SMK 50	50	80	100	116	92	20	98	9.0	14.0	8.1

Model NO	Max. Static Load kgf	Max. PV kgf * m/sec	Max. Speed m/sec	Weight g
SMK 10	200	10.4	2	33
SMK 12	250	12.9	2	35
SMK 13	290	14.9	2	38
SMK 16	410	21.2	2	56
SMK 20	580	30.1	2	75
SMK 25	1000	52.8	2	149
SMK 30	1300	68.7	2	202
SMK 35	1700	87.7	2	296
SMK 40	2200	115.0	2	450
SMK 50	3500	179.0	2	1000

